

		PRODUCT SERIES			MODEL VARIABLE		MOTOR SIZE		CFM		MOTOR VOLTAGE		DESIGN VARIATION	
MODEL	0	6	C	C	2	2	8	A	1	0	0			
DIGIT	1	2	3	4	5	6	7	8	9	10	11			

1ST, 2ND, 3RD DIGIT
PRODUCT SERIES

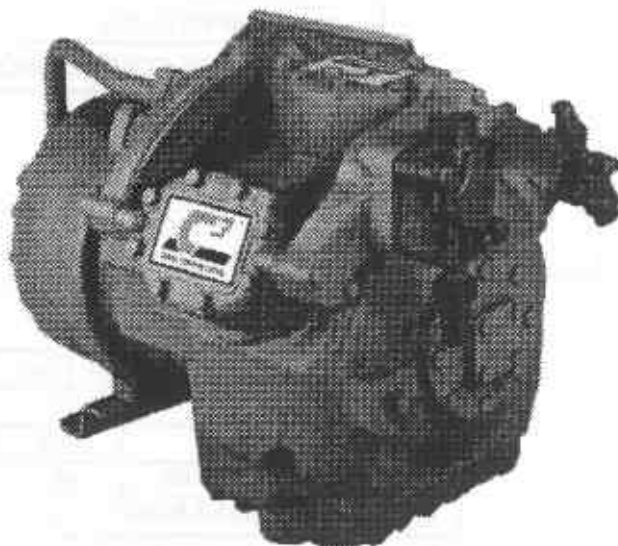
4TH DIGIT MODEL VARIABLE	
C	STD COMPOUND COOLING MODEL
Y	SERVICE COMPOUND COOLING MODEL
B	SPECIAL ORDER

5TH DIGIT MOTOR SIZE	
0	15 FT-LB (5 HP)
1	20 FT-LB (6.5 HP)
2	24 FT-LB (8 HP)
3	27 FT-LB (9 HP)
4	
5	45 FT-LB (15 HP)
6	60 FT-LB (20 HP)
7	75 FT-LB (25 HP)
8	90 FT-LB (30 HP)

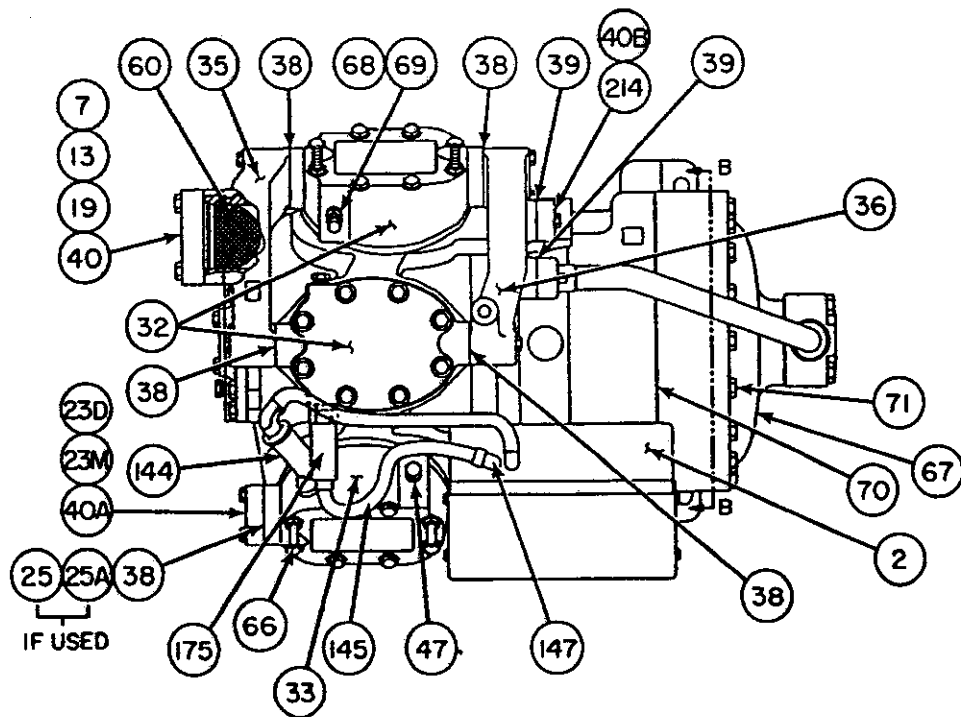
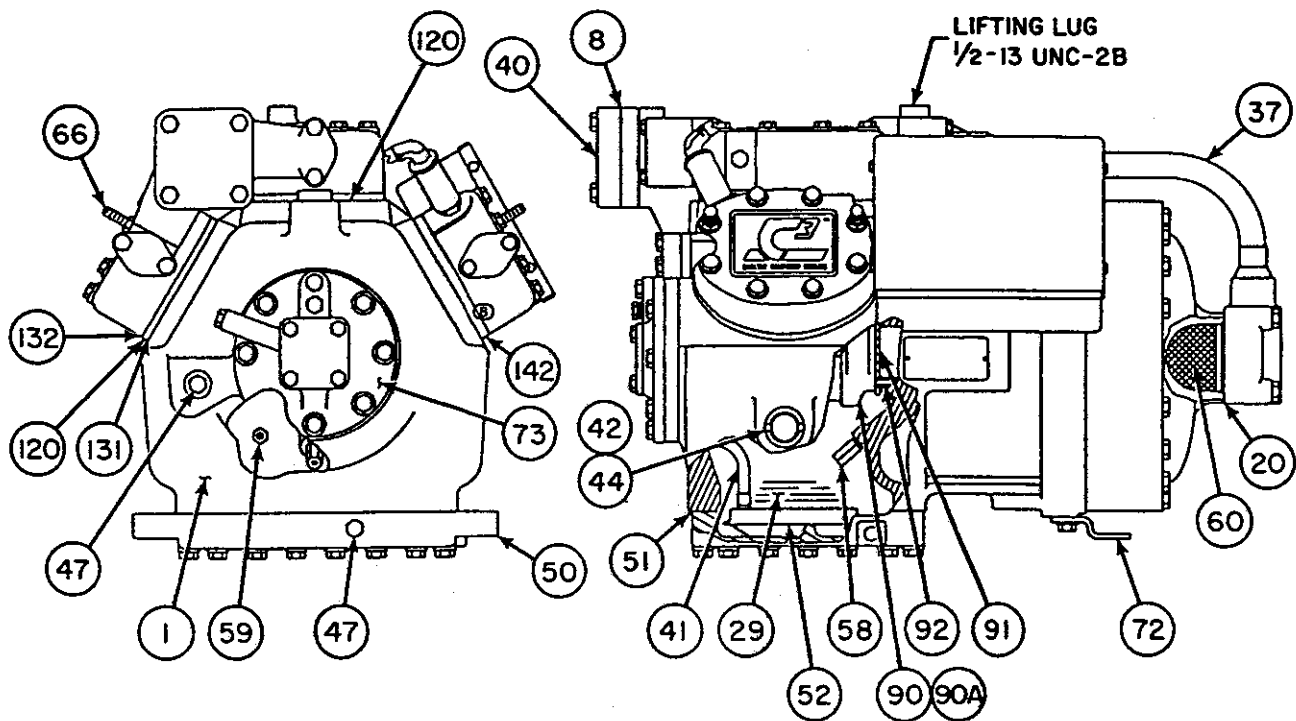
6TH, 7TH DIGIT	
	16 CFM
	18 CFM
	24 CFM
	28 CFM
	37 CFM
	50 CFM
	65 CFM
	75 CFM
	99 CFM

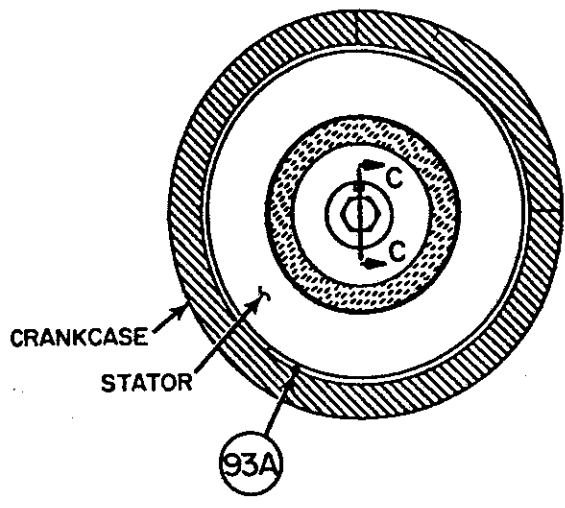
8TH DIGIT MOTOR VOLTAGE		
A	400/460-3-50/60 (ETO)	XL&PW
B	400/460-3-50/60 (ETO)	XL
C	400/460-3-50/60 (ETO)	PW
D	208/230-3-60	XL
E	208/230/460-3-60	*
F	400/460-3-50/60	XL&PW
G	400/460-3-50/60	XL
H	400/460-3-50/60	PW
J	575-3-60	XL
K	230-3-60	PW
L	230-3-50	XL&PW
M	220-3-50	XL
N	220-3-50	PW
P	220/346/380-3-50/60	XL&PW

9TH, 10TH, 11TH DESIGN VARIATION	
100	STD. MODEL W/ MIN
101	SINGLE PACK W/ M
102	SINGLE PACK W/ M
103	SINGLE PACK SERVI
	W/O VALVES, W/O T
104	SINGLE PACK W/O V
105	SINGLE PACK W/ VA
200	STD MODEL - W/O O
201	STD MODEL - W/O O
	PACK - W/O VALVES
202	STD MODEL - W/O O
	PACK - W/VALVES
203	HFC MODEL - SINGLE
	W/O OIL, VALVES, O
210	HFC MODEL - W/POE
211	HFC MODEL - W/ PO
	SINGLE PACK - W/O
212	HFC MODEL - W/ PO
	SINGLE PACK - W/V

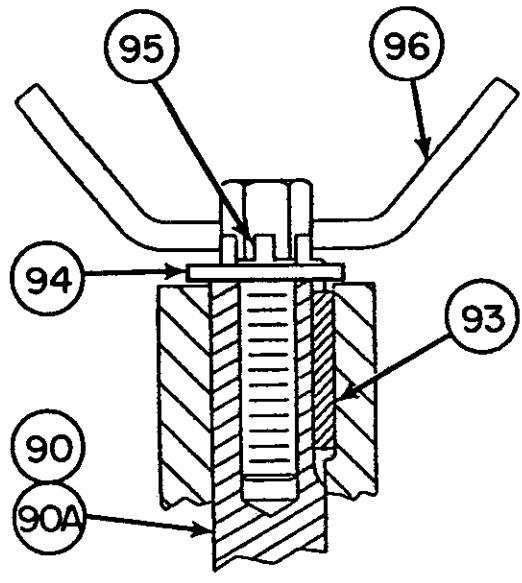


16 - 37 CFM

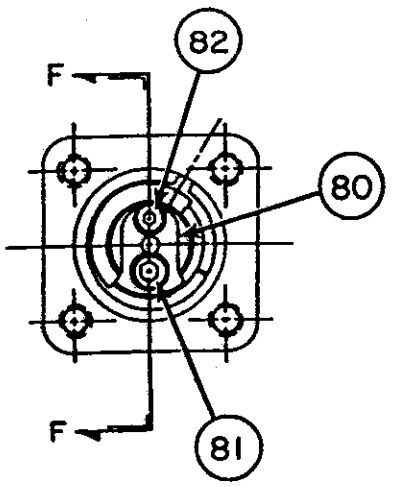




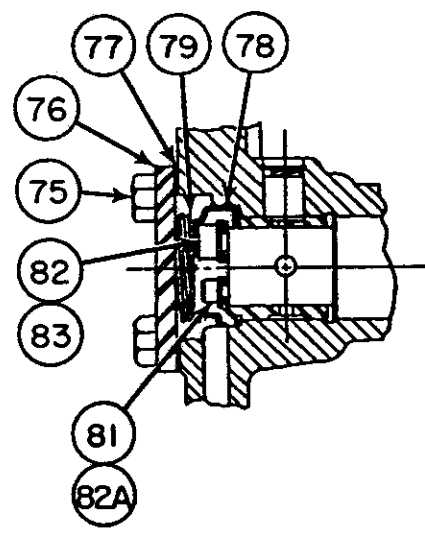
SECTION B-B



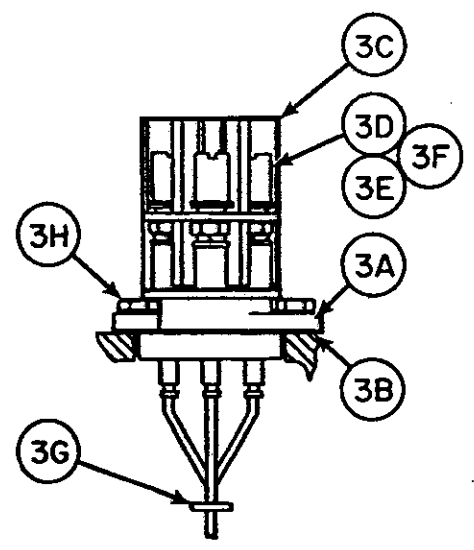
SECTION C-C



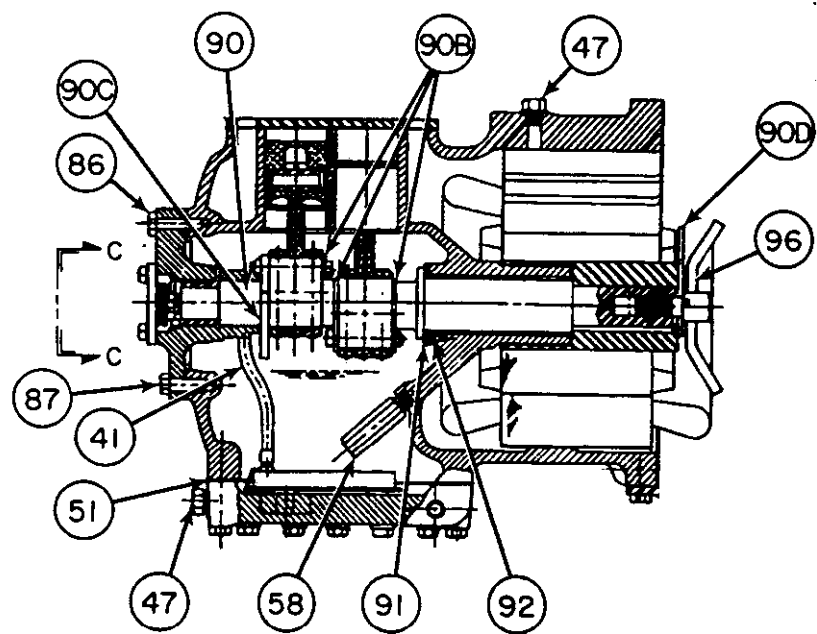
VIEW C-C



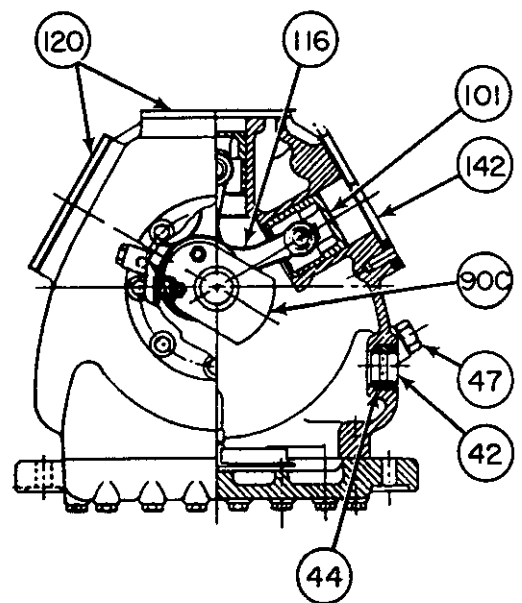
SECTION F-F



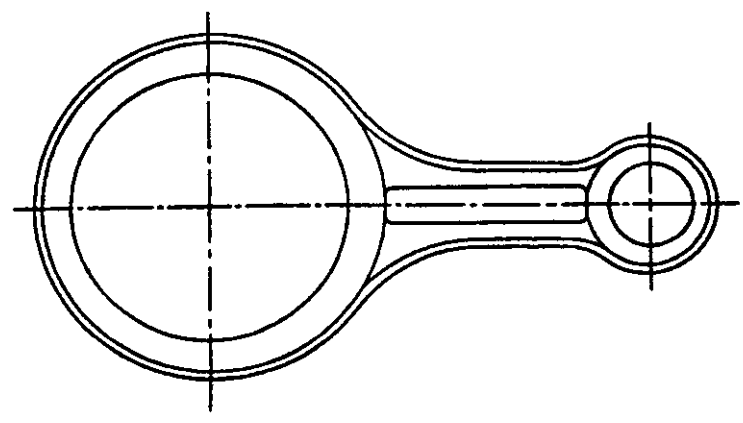
TERMINAL PLATE



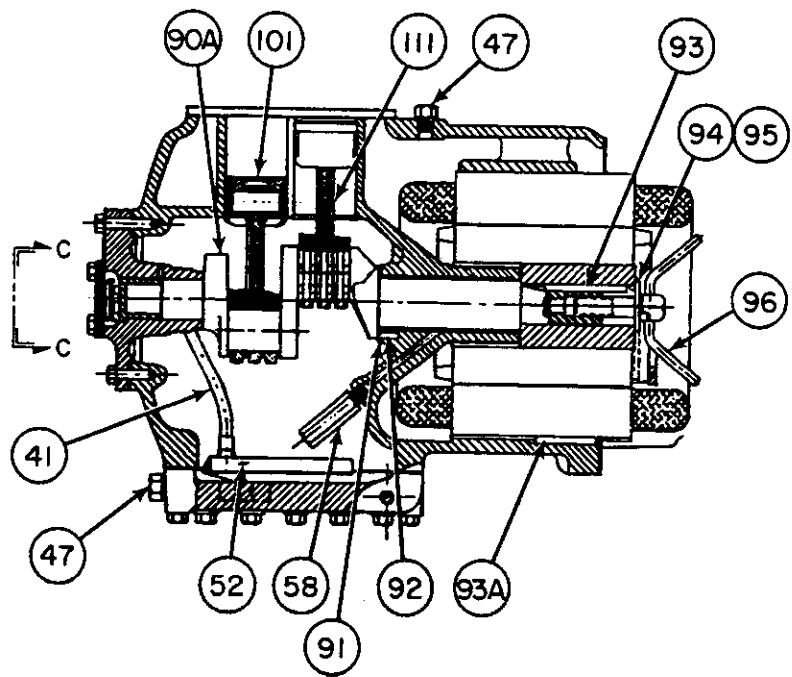
16, 18, 24, CFM
(W/ ECCENTRIC STRAPS)
SECTION A-A



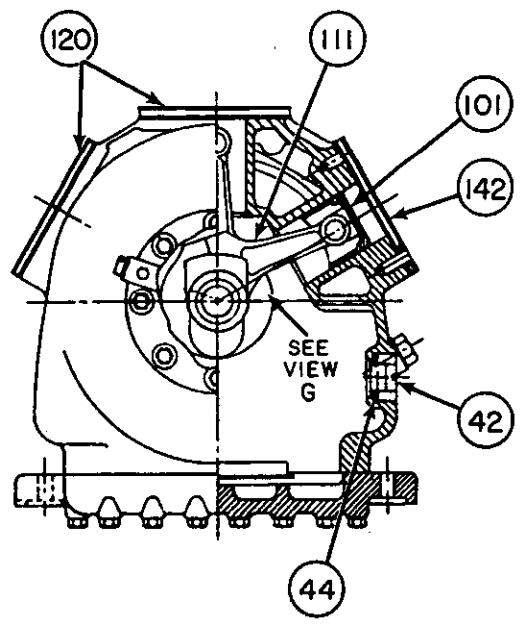
16, 18, 24, CFM
SECTION B-B



ECCENTRIC STRAP, ITEM #116

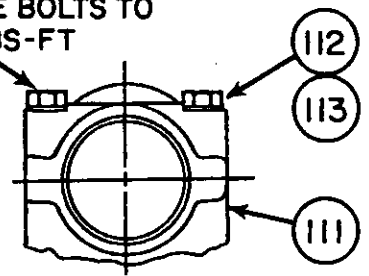


28, 37 CFM
(W/ CONN RODS)
SECTION A-A

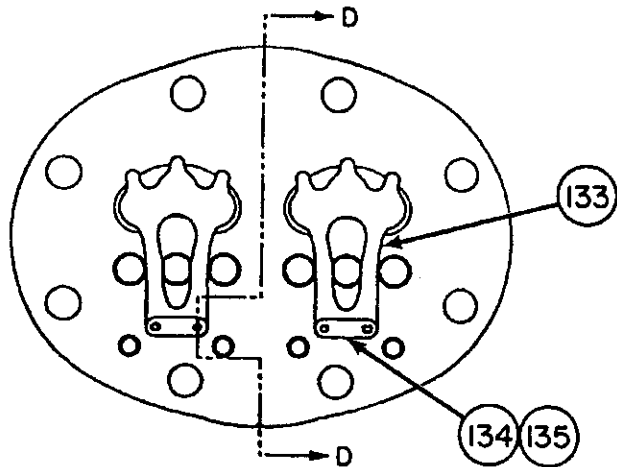


28, 37 CFM
SECTION B-B

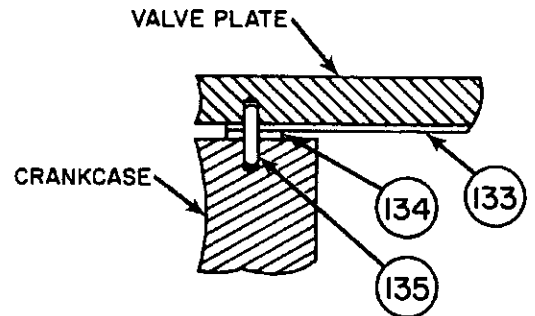
TORQUE BOLTS TO
7-12 LBS-FT



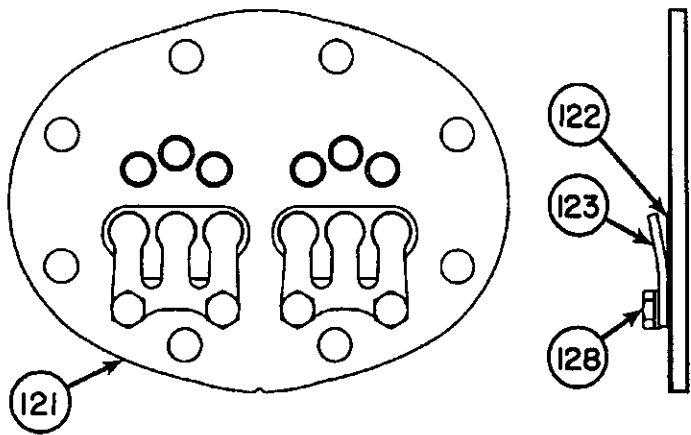
VIEW G



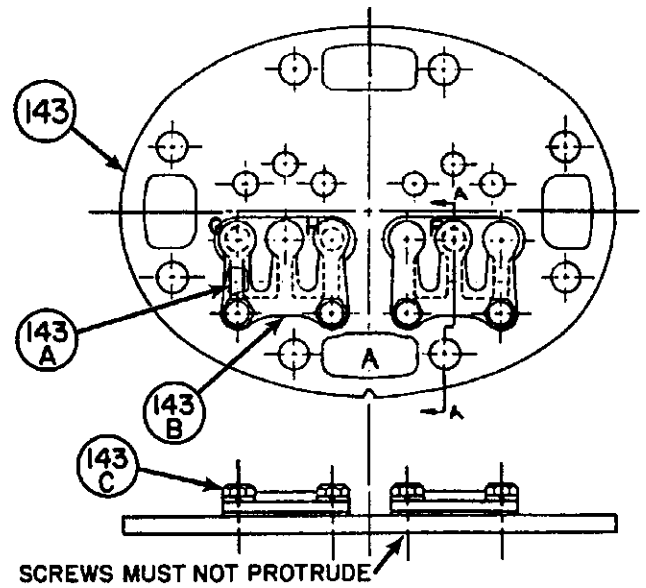
VALVE PLATE, CRANKCASE SIDE



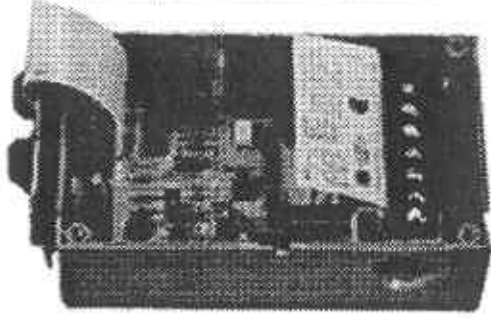
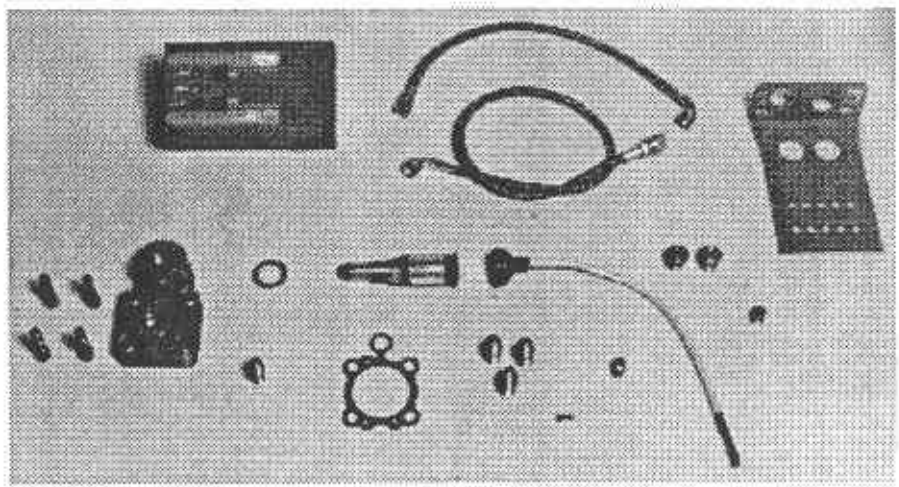
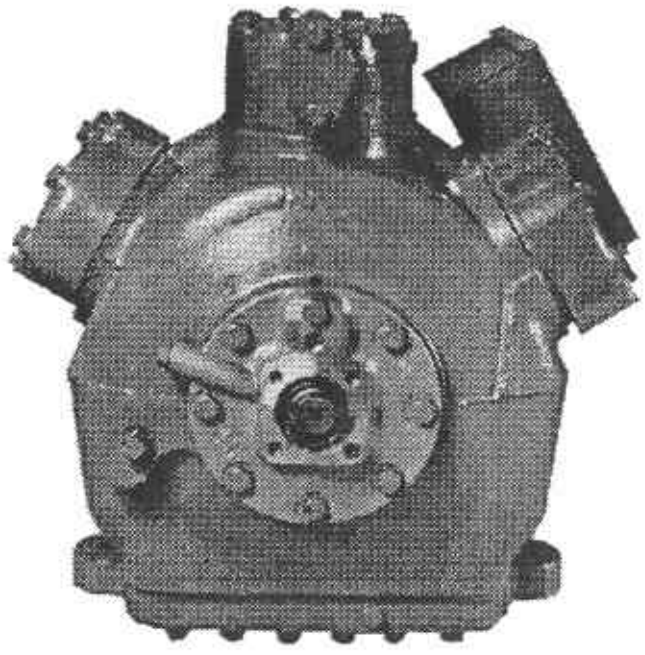
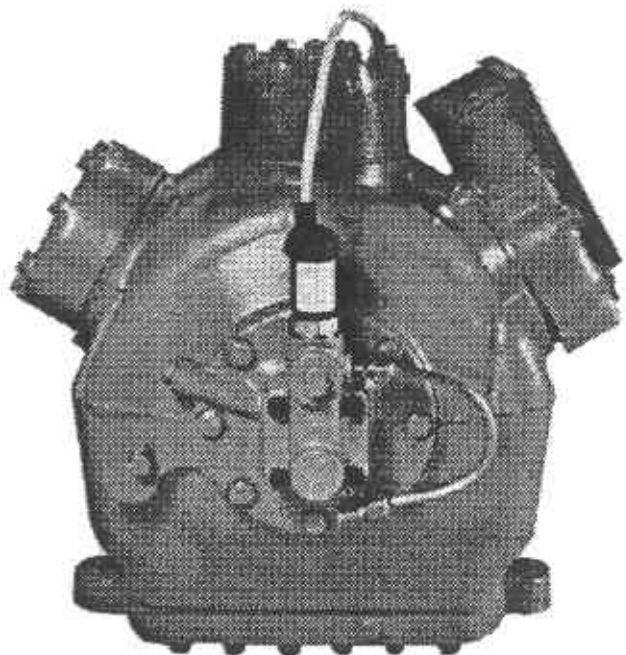
SECTION D-D



HIGH STAGE VALVE PLATE, ITEM #142



LOW STAGE VALVE PLATE, ITEM #120



Model 06CC/CY337.....

Description COMPOUND COOLING COMPRESSOR, 6 CYL/ 9 HP

Itm#	Qty	Rec	Part Number	Description
1	1	-	06CY337B103	REPL.COMPR ASSY (415-3-50 XL)
1A	1	-	06CY337C103	REPL.COMPR ASSY (415-3-50 PW)
1B	1	-	06CY337D103	REPL.COMPR ASSY (208/230-3-60 XL)
1C	1	-	06CY337G103	REPL.COMPR ASSY(400/460-3-50/60 XL)
1D	1	-	06CY337J103	REPL.COMPR ASSY (575-3-60 XL)
1E	1	-	06CY337M103	REPL.COMPR ASSY (220-3-50 XL)
2	1	-	06DA660088	TERMINAL BOX & COVER KIT (3 X 6 X 8): NOTE: TERMINAL BOX KITS CONTAIN BOX,COVER,LABELS & HARDWARE.
3	1	-	06DA660134	TERMINAL PLATE PACKAGE includes
3A	1	-	NOT AVAILABLE	> TERMINAL PLATE (6 PIN SERVICE)
3B	1	-	6D401061	> GASKET,TERMINAL PLATE
3C	1	-	06DA503674	> PHASE BARRIER (PLASTIC)
3D	1	-	06DA503262	> TERMINAL NUT
3E	6	-	AU29AR171	> LOCKTOOTH WASHER
3F	6	-	06DA502333	> SPACER SLEEVE (BRASS)
3G	2	-	NOT AVAILABLE	> SPLICE
3H	4	-	NOT AVAILABLE	> SCREW
4	1	-	06DA660095	TERMINAL PACKAGE (NOTE) includes
4A	6	-	SEE NOTE	> TERMINAL NUT & SET SCREW: NOTE: FOR USE ON POWER LEADS THROUGH # 5 WIRE SIZE.
5A	2	C	HN69GZ024	OVERLOAD (415-3-50 XL)
5B	6	C	HN69GZ053	OVERLOAD (415-3-50 PW)
5C	3	C	HN69GZ309	OVERLOAD (208/230-3-60 XL)
5D	2	C	HN69GZ024	OVERLOAD (400/460-3-50/60 XL)
5E	2	C	HN69GZ025	OVERLOAD (575-3-60 XL)
5F	3	C	HN69GZ306	OVERLOAD (220-3-50 XL)
5N	1	C	06DA660077	OVERLOAD SPACER: NOTE: SPACERS ARE BRKTS O/L'S MOUNT TO INSIDE BOX. 06DA66077 IS A PKG OF 2 DIFFERENT SPACERS.
6	1	R	06DA660063	SUCTION VALVE PACKAGE (OPTIONAL) includes
7	1	-	NOT AVAILABLE	> SERVICE VALVE (1 1/8 ODS) (4 BOLT)
8	1	R	6D681131	> GASKET,SERVICE VALVE
9	4	-	NOT AVAILABLE	> HEX HEAD CAPSCREW
10A	1	-	EN99ZA006	> VALVE CAP (MUELLER ONLY)
10B	1	-	EN99ZA013	> VALVE CAP (HENRY ONLY)
11A	1	-	EN99ZA103	> GASKET,VALVE CAP (MUELLER ONLY)
11B	1	-	NOT AVAILABLE	> GASKET,VALVE CAP (HENRY ONLY)
12	1	R	06DA660065	SUCTION VALVE PACKAGE (OPTIONAL) includes
13	1	-	NOT AVAILABLE	> SERVICE VALVE (1 3/8 ODS) (4 BOLT)
14	1	R	6D681131	> GASKET,SERVICE VALVE
15	4	-	NOT AVAILABLE	> HEX HEAD CAPSCREW
16A	1	-	EN99ZA006	> VALVE CAP (MUELLER ONLY)
16B	1	-	NOT AVAILABLE	> VALVE CAP (HENRY ONLY)
17A	1	-	EN99ZA103	> GASKET,VALVE CAP (MUELLER ONLY)
17B	1	-	NOT AVAILABLE	> GASKET,VALVE CAP (HENRY ONLY)
18	1	R	06EA660090	SUCTION VALVE PACKAGE (OPTIONAL) includes
19	1	-	NOT AVAILABLE	> SERVICE VALVE (1 5/8 ODS) (4 BOLT)
20	1	R	6D681131	> GASKET,SERVICE VALVE
21	4	-	NOT AVAILABLE	> HEX HEAD CAPSCREW
22A	1	-	EN99ZA006	> VALVE CAP (MUELLER ONLY)
22B	1	-	EN99ZA013	> VALVE CAP (HENRY ONLY)
23A	1	-	EN99ZA103	> GASKET,VALVE CAP (MUELLER ONLY)
23B	1	-	NOT AVAILABLE	> GASKET,VALVE CAP (HENRY ONLY)
23C	1	R	06DA660064	DISCHARGE VALVE PACKAGE (OPTIONAL) includes
23D	1	-	NOT AVAILABLE	> DISCHARGE VALVE(1 1/8 ODS)(2 BOLT)
23E	1	R	6D401131012	> GASKET,VALVE (1.62 CTRS)
23F	2	-	NOT AVAILABLE	> HEX HEAD CAPSCREW

Itm#	Qty	Rec	Part Number	Description
23G	1	-	EN99ZA006	> CAP,VALVE (MUELLER)
23H	1	-	EN99ZA013	> CAP,VALVE (HENRY)
23J	1	-	EN99ZA103	> GASKET,VALVE CAP (MUELLER)
23K	1	-	NOT AVAILABLE	> GASKET,VALVE CAP (HENRY)
23L	1	R	06DA660062	DISCHARGE VALVE PACKAGE (OPTIONAL) includes
23M	1	-	NOT AVAILABLE	> DISCHARGE VALVE (7/8 ODS,2 BOLT)
23N	1	R	6D401131012	> GASKET,VALVE (1.62 CTRS.)
23P	2	-	NOT AVAILABLE	> HEX HEAD CAPSCREW
23Q	1	-	EN99ZA006	> CAP,VALVE (MUELLER)
23R	1	-	NOT AVAILABLE	> CAP,VALVE (HENRY)
23S	1	-	NOT AVAILABLE	> GASKET,VALVE CAP (MUELLER)
23T	1	-	NOT AVAILABLE	> GASKET,VALVE CAP (HENRY)
24	1	-	06DA660105	BAFFLE PLATE PACKAGE (SEE NOTE) includes
25	1	-	NOT AVAILABLE	> BAFFLE PLATE (6 HOLE)
25A	2	-	6D401131	> GASKET (EACH SIDE OF BAFFLE)
30	1	-	PH23QK016	PAINT (SEA FOAM GREEN) (16 OZ SPRAY)
31	1	R	06CC660002	GASKET PKG COMPOUND COOLING)SEE NOTE: NOTE: GASKET PKG CONTAINS ITEMS # 8,34,38,39,44,51,70,77,84 & 131.
32	2	-	06DA506234	CYLINDER HEAD (LOW STAGE)
33	1	-	05GA501244	CYLINDER HEAD (HIGH STAGE)
34	3	R	05GA502213	GASKET,CYLINDER HEAD (CTD STL)
35	1	-	06DA506264	SUCTION MANIFOLD
36	1	-	06DA506284	INTERSTAGE MANIFOLD
37	1	-	06DA406334	INTERSTAGE PIPING ASSY
37A	1	-	05GA501762	PORT PLUG (7/16-20)
37B	1	-	KK71EW904	"O" RING (FOR 37A)
38	6	R	6D401131012	GASKET,MANIFOLD
39	2	R	6D231421	GASKET (2 BOLT;1.62 CTRS)
40	1	-	5F305012	BLANKOFF PAD (4 BOLT;2.50 MTG. SQ.)
40A	1	-	6D432473	BLANKOFF PAD (2 BOLT;1.75 MTG CTRS)
40B	1	-	6D212473	BLANKOFF PAD (2 BOLT;1.62 MTG CTRS)
41	1	-	6D752153	OIL SUCTION TUBE
42	1	R	5F20152	OIL SIGHT GLASS ASSEMBLY
44	2	R	5F201631	GASKET,SIGHT GLASS
45	6	-	AB06GS169	HEX HEAD CAPSCREW
46	6	-	NOT AVAILABLE	LOCK WASHER 1/4"
47	8	-	CA63AA051	PIPE PLUG 1/4" NPT
50	1	-	6D681274	COVER,BOTTOM
51	1	-	6D681043	GASKET,BOTTOM COVER
52	1	-	6D40103	OIL FILTER SCREEN ASSY
53	1	-	AS81VF056	CRANKCASE HEATER BRACKET
56	1	-	06EA400982	OIL RETURN ORIFICE ASSEMBLY includes
57	1	R	6D75601	> STRAINER
58	1	-	6D23522	OIL RELIEF VALVE ASSEMBLY
59	1	-	6D40162	OIL RETURN CHECK VALVE ASSEMBLY
60	1	R	06DA402133	SUCTION STRAINER ASSEMBLY
66	4	-	06EA501973	STUD,FAN MOUNTING
67	1	-	06DA503313	COVER,MOTOR END
68	1	-	06DA403844	VALVE ASSEMBLY (SCHRADER)
69	1	-	99CC409372	VALVE CAP
70	1	R	6F251013	GASKET,MOTOR END COVER
71	18	-	AA06GS271	HEX HEAD CAPSCREW,MOTOR END COVER
72	1	-	06EA501172	COMPRESSOR FOOT
73	1	-	06DA660126	BEARING HEAD PACKAGE includes
74	1	-	NOT AVAILABLE	> BEARING HEAD ASSEMBLY
75	4	-	AA06GR199	> HEX HEAD CAPSCREW
76	1	-	7J16002	> COVER,PUMP END
77	1	-	6D401061	> GASKET,PUMP END COVER
78	1	-	6D401171	> OIL FEED GUIDE VANE

Itm#	Qty	Rec	Part Number	Description
79	1	-	NOT AVAILABLE	> OIL FEED GUIDE VANE SPRING
80	1	-	05KA404093	> OIL PUMP DRIVE SEGMENT
81	1	-	NOT AVAILABLE	> SOCKET HEAD CAPSCREW #10
82	1	-	NOT AVAILABLE	> SOCKET HEAD CAPSCREW 1/4
82A	1	-	NOT AVAILABLE	> LOCKWASHER #10
83	1	-	NOT AVAILABLE	> LOCKWASHER 1/4
84	1	R	6D401022	> GASKET BEARING HEAD
85	1	-	CA63AA051	> PIPE PLUG 1/4 NPT
86	1	-	AA06GR233	HEXHEAD CAPSCREW 3/8-16 X 1 1/2 LG
87	7	-	AA06GR230	HEXHEAD CAPSCREW 3/8-16 X 1 LG
90	1	-	6D75722	ECCENTRIC SHAFT
91	1	-	6D681491	THRUST WASHER (3" DIA. BRONZE)
92	1	-	AX13AA091	SPIROL PIN,THRUST WASHER
93	1	-	AW01DA096	ROTOR KEY
93A	1	-	AX14CA135	ROLL PIN
94	1	-	06DA503112	ROTOR L'WASHER (1 3/4" DIA.)(1 TAB)
95	1	-	06DA503102	ROTOR LOCKWASHER 5/8 B0RE (5 POINT)
96	1	-	6D75122	EQUALIZER TUBE ASSEMBLY
100A	6	-	06DR660040	PISTON & PIN PACKAGE
101	1	-	NOT AVAILABLE	> PISTON (FLAT TOP)
102	1	-	6D431661	> PIN,PISTON
103	2	-	6D431651	> RING,PISTON PIN
110	6	-	06DA660042	CONN ROD & CAP PACKAGE includes
111	1	-	NOT AVAILABLE	> CONN ROD & CAP
112	2	-	06DA502763	> SCREW,SELF LOCKING
113	2	-	7J16032	> DOWEL PIN
115	12	-	AU50CP355	RING PACKAGE,COMPRESSION (PKG OF 6): NOTE: PISTONS USE 2 COMPRESSION RINGS BUT NO OIL RINGS.
120	2	R	06CY660002	VALVE PLATE PKG(LOW STAGE LFT & CTR)
121	1	R	NOT AVAILABLE	VALVE PLATE ASSEMBLY includes
122	2	-	06DA503953	> DISCHARGE VALVE
123	2	-	06DA503943	> DISCHARGE VALVE STOP
128	4	-	06DA503123	> CAPSCREW,SELF LOCKING
131	1	R	05DA500153	> GASKET,VALVE PLATE
132	1	R	05GA502213	> GASKET,CYLINDER HEAD
133	2	-	06DA502903	> VALVE,SUCTION (.018 THK.)
134	2	-	6D401021	> SPRING,SUCTION VALVE POSITIONING
135	4	-	7J16032	> DOWEL PIN (C'CASE DECK)
142	1	R	06DA660130	VALVE PLATE PKG (HI STAGE RIGHT)
143	1	R	NOT AVAILABLE	VALVE PLATE ASSEMBLY includes
143A	2	-	06DA502913	> VALVE,DISCHARGE
143B	2	-	06DA503943	> VALVE STOP,DISCHARGE
143G	4	-	06DA503123	> SCREW,SELF LOCKING
143H	1	R	05DA500153	> GASKET,VALVE PLATE (CTD STL)
143J	1	R	05GA502213	> GASKET,CYLINDER HEAD (CTD STL)
143K	2	-	06DA503953	> VALVE,SUCTION (.018 THK)
143L	2	-	6D401021	> SPRING,SUCTION VALVE POSITIONING
143M	4	-	7J16032	> DOWEL PIN (C'CASE DECK)
144	1	-	HN68GA295	DISCHARGE TEMP. SENSOR (OPEN 325 F)
145	1	-	06EA601052	CYLINDER HEAD SENSOR CONDUIT PKG. includes
146	1	-	NOT AVAILABLE	> 3/8 CONDUIT 20" LG.
147	2	-	HW62EH106	> CONDUIT CONNECTOR (3/8)
148	2	-	HW77EZ011	> ANTI-SHORT SLEEVE
149	2	-	NOT AVAILABLE	> WIRE NUTS
150	1	-	CA34BN151	> 1/2 PIPE COUPLING
151	1	-	NOT AVAILABLE	> WARNING PLATE
152	1	C	06DA660115	SOLID STATE OIL PRESSURE SWITCH KIT includes
153	1	-	06EA680078	> MOUNTING BLOCK,TRANSDUCER
154	1	-	06DA680063	> GSKT,MTG BLOCK(CTD STL)(RIB OUT)

Itm#	Qty	Rec	Part Number	Description
155	1	R	06DA403713	> LUBE OIL CONTROL,ELECTRONIC
156	4	-	NOT AVAILABLE	> SCREW,ALLEN HEAD
157	2	-	CA63AA051	> PIPE PLUG 1/4"
158	1	-	CA63AA001	> PLUG,PIPE 1/8"
159	1	-	DD07UA051	> COUPLING,HALF UNION
160	1	-	NOT AVAILABLE	> COUPLING,HALF UNION
161	1	-	DD10CA053	> ELBOW,HALF UNION
162	1	-	AE11AR056	> SCREW,CUP POINT SET
163	1	-	06DA405682	> TUBE ASSEMBLY
164	1	-	VAC-SL4	> WRENCH,ALLEN 1/16"
165	1	C	06DA660114	OIL PRESS SAFETY SWITCH PKG includes
166	1	-	06EA680078	> MOUNTING BLOCK,TRANSDUCER
167	1	R	06DA680063	> GASKET,MOUNTING BLOCK (FIBER)
167A	1	R	06DA504473	> GASKET,MOUNTING BLOCK (METAL)
168	4	-	NOT AVAILABLE	> SCREW,ALLEN HEAD
169	1	-	AE11AR056	> PLUG,PIPE 1/4"
170	3	-	DD07UA051	> PLUG,PIPE 1/8"
171	2	-	CA63AA051	> COUPLING,HALF UNION
172	1	-	NOT AVAILABLE	> COUPLING,HALF UNION
173	1	-	AE11AR056	> SCREW,CUP POINT SET
174	1	-	VAC-SL4	> WRENCH,ALLEN 1/16"
175	1	C	06CC680001	MID STAGE PRESS SW (CUTOFF 250 PSI)
176	1	C	P529-2110	OIL PRESS SAFETY SWITCH (MECH)
177	1	C	P529-2130	OIL PRESS SAFETY SWITCH (MECH)
178	1	R	06EA660165	CRANKCASE HEATER PKG (120V ;180W) includes
179	1	R	06EA660165	> HEATER
180	1	R	06EA660166	CRANKCASE HEATER PKG (240V ;180W) includes
181	1	R	06EA660166	> HEATER
182	1	R	06DA660076	CRANKCASE HEATER PKG (480V ;125W) includes
183	1	R	HT36DL480	> HEATER: NOTE: ITEMS 178,180 & 182 ALSO INCLUDE ITEMS # 185-187.
185	1	-	AS81VF056	HEATER CLIP
186	1	-	HW77DZ011	BUSHING,ANTI-SHORT
187	1	-	38AQ680001	COMPOUND,HEAT SINK (SILICONE)
188	1	-	06DA660057	COMPRESSOR SUSPENSION KIT includes
189	4	-	50K121231	> SPRING
190	2	-	50K41221	> SPRING CUP
191	4	-	NOT AVAILABLE	> STUD (3/8-16 X 3")
192	8	-	NOT AVAILABLE	> FLANGED NUT (3/8-16)
193	4	-	AT61JA241	> LOCK NUT (3/8-16)
194	4	-	6D732241	> SNUBBER,RUBBER
195	4	-	6D732251	> SNUBBER CUP
196	4	-	30HR0701071	COMPR MTG SPACER(1" HIGH X 1-1/8"OD)
197	1	-	06EA660096	COMPRESSOR MOUNTING PLATE PACKAGE: NOTE; MOUNTING PLATE PKG CONSISTS OF A 1/4" THK DRILLED PLATE 14 7/16" X 19 7/16" AND 4 SPACERS (IT# 196) WITH TEMPLATE.
198	1	-	06DR660014	CYLINDER HEAD COOLING FAN PKG. includes
199	1	-	LA01AA102	> FAN (3 BLADE, 12" DIA.)
200	1	-	06DA401773	> FAN GUARD & MOTOR MTG ASSY (1 PCS)
201	1	-	06DA401763	> FAN GUARD COVER ASSEMBLY
202	1	-	HC27GB230	> FAN MOTOR (1/20 HP;208/230-1-60)
203	1	-	NOT AVAILABLE	> FLEX CONDUIT
204	1	-	HW680001	> CONDUIT ADAPTER (3/8")
205	3	-	NOT AVAILABLE	> THD CUTTING SCREW (#10-24)
206	4	-	NOT AVAILABLE	> HEX NUT (1/2"-13)
207	8	-	NOT AVAILABLE	> PLATE WASHER (1/2")
208	4	-	NOT AVAILABLE	> MACHINE SCREW (#10-32)
209	1	-	06DR660012	REPLACEMENT FAN PKG (FOR IT# 190) includes
210	1	-	LA01AA102	> FAN (3 BLADE 12" DIA.)
211	1	-	P251-0064	> BUSHING (1/2 X 3/8)

Itm#	Qty	Rec	Part Number	Description
212	1	-	AE54FR167	> SET SCREW
213	1	-	06DA605604	MUFFLER PACKAGE (7/8" ODS)
213A	1	-	06DA605614	MUFFLER PACKAGE (1 1/8" ODS)
214	1	-	06EA680081	FLANGED ADAPTER KIT
215	1	-	EA11ZC011	DESUPERHEATING VALVE 1/2TON